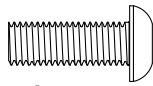
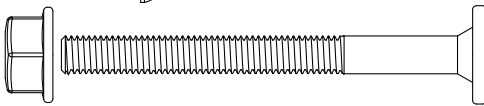
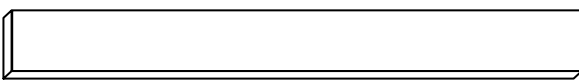


# My Handbar - step by step

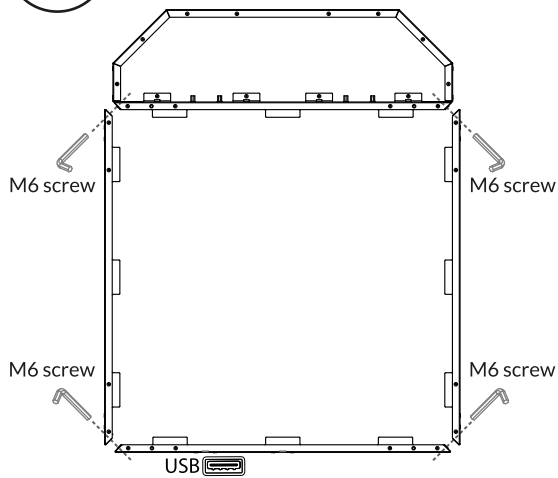
M4 screw 

M6 screw 

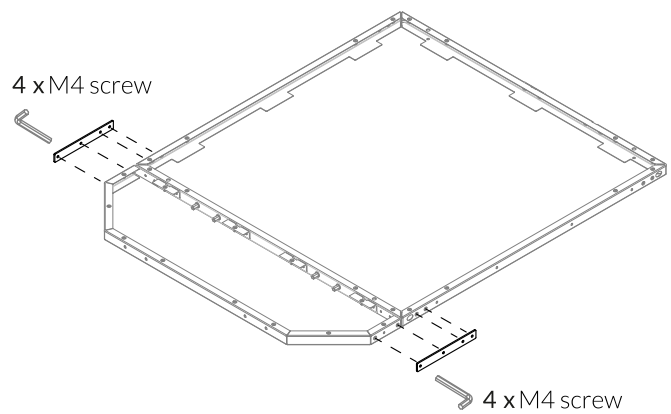
55mm screw + nut 

rubber protector 

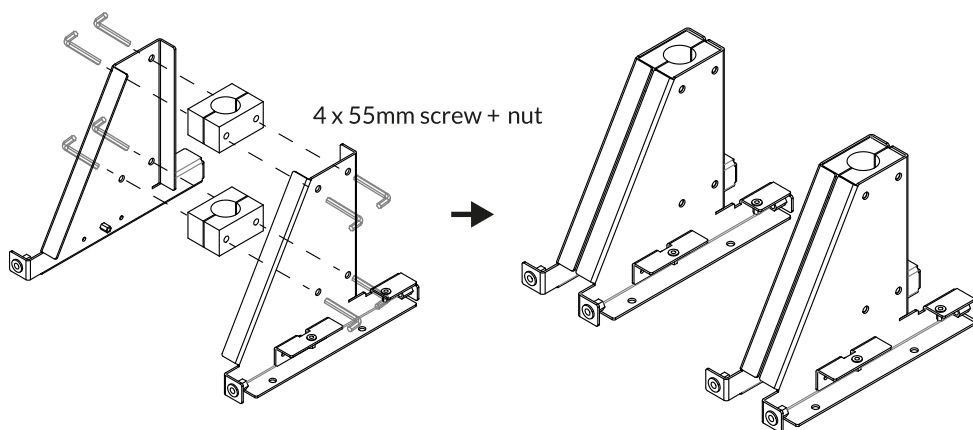
1



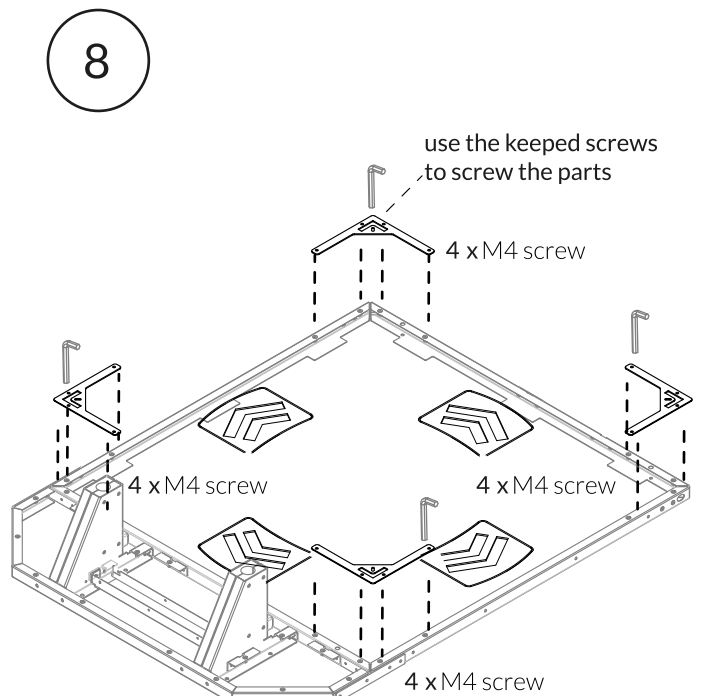
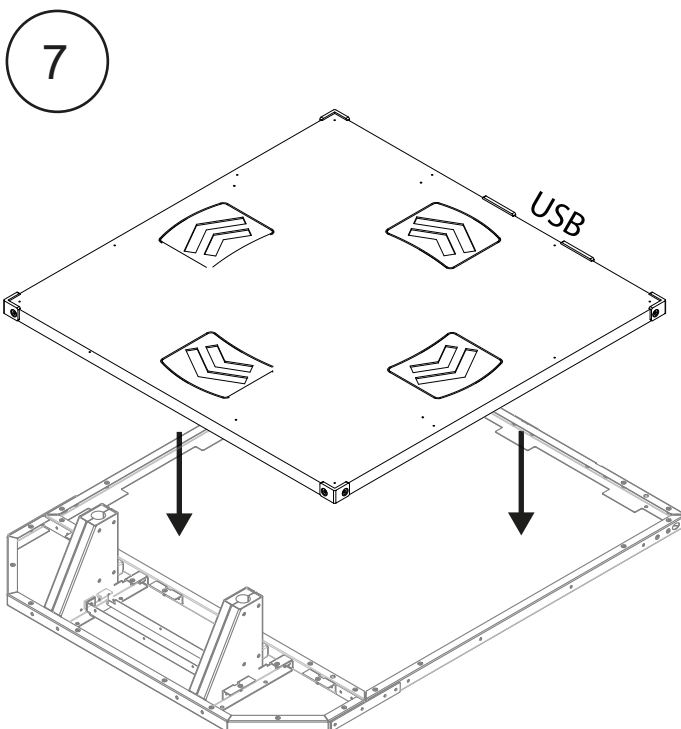
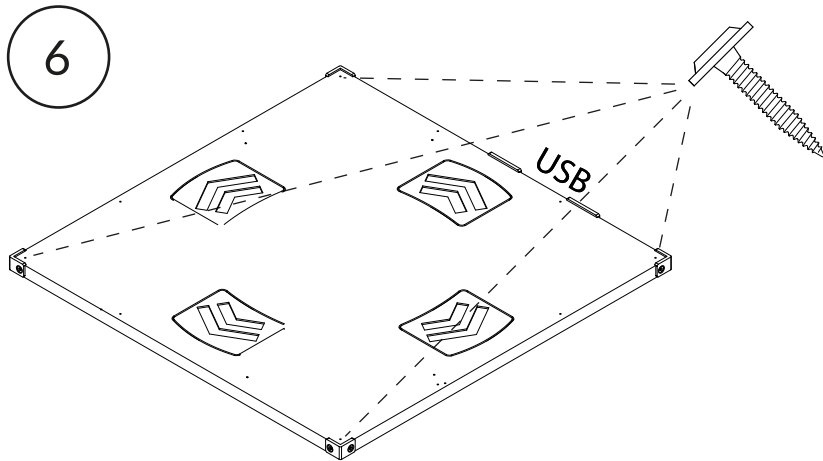
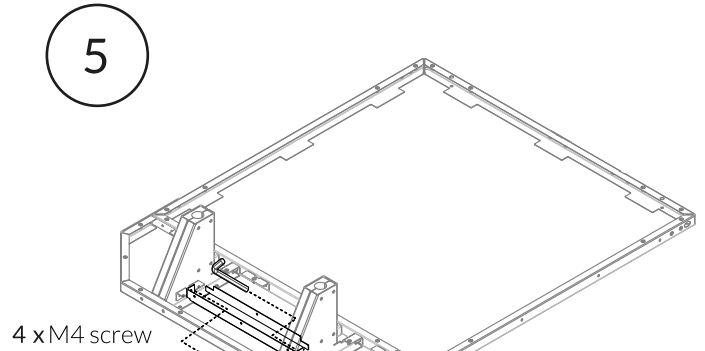
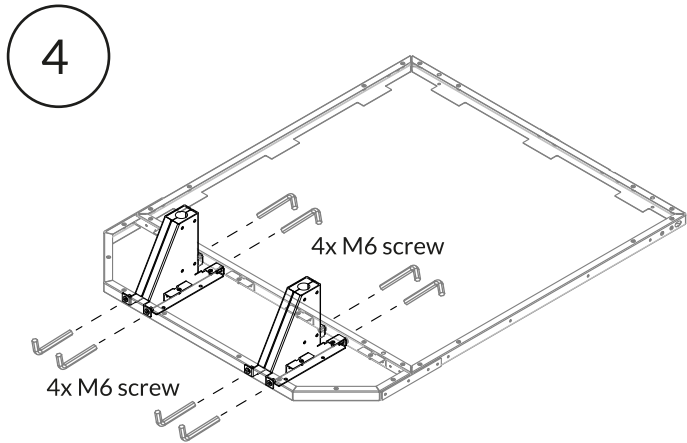
2



3

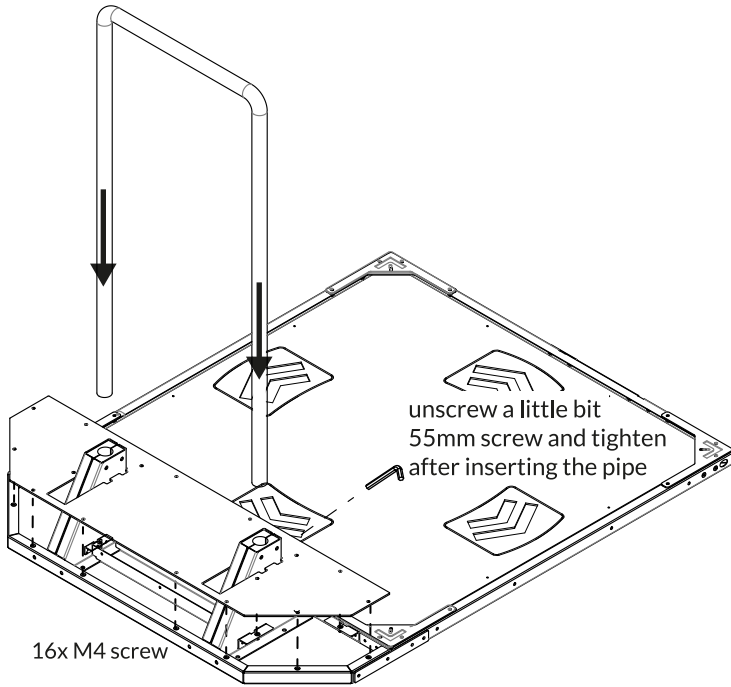


# My Handbar - step by step



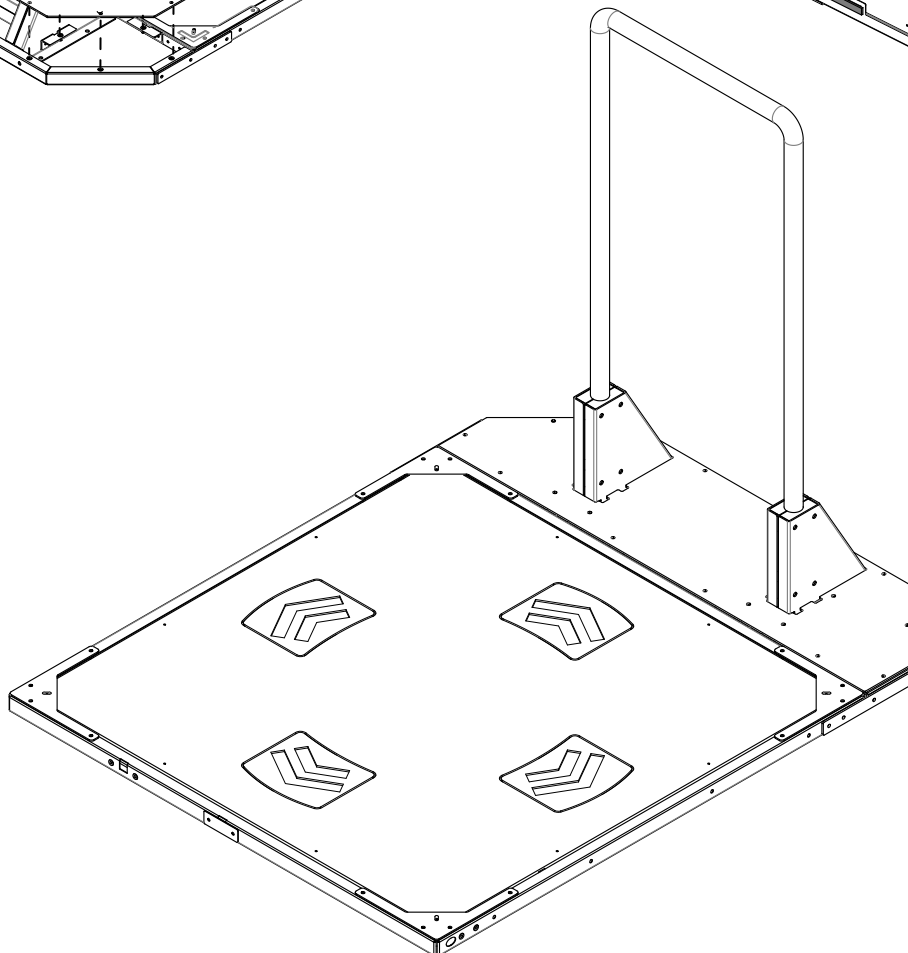
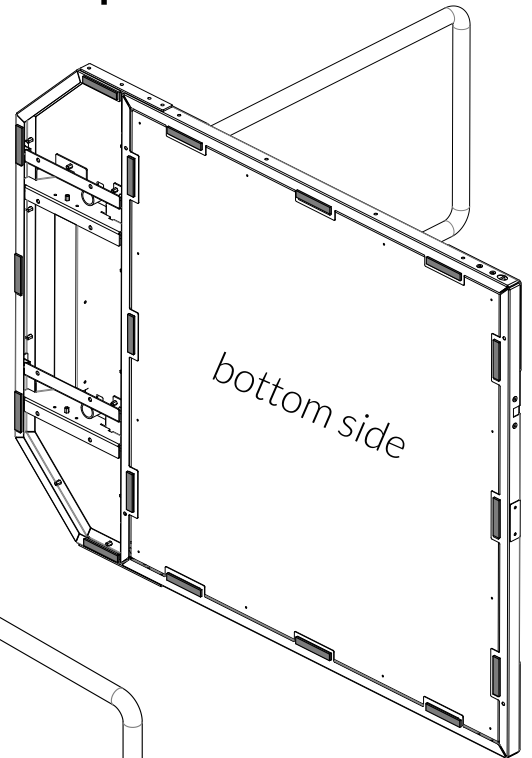
# My Handbar - step by step

9



10

put the handbar on the side and stick **rubber protectors**

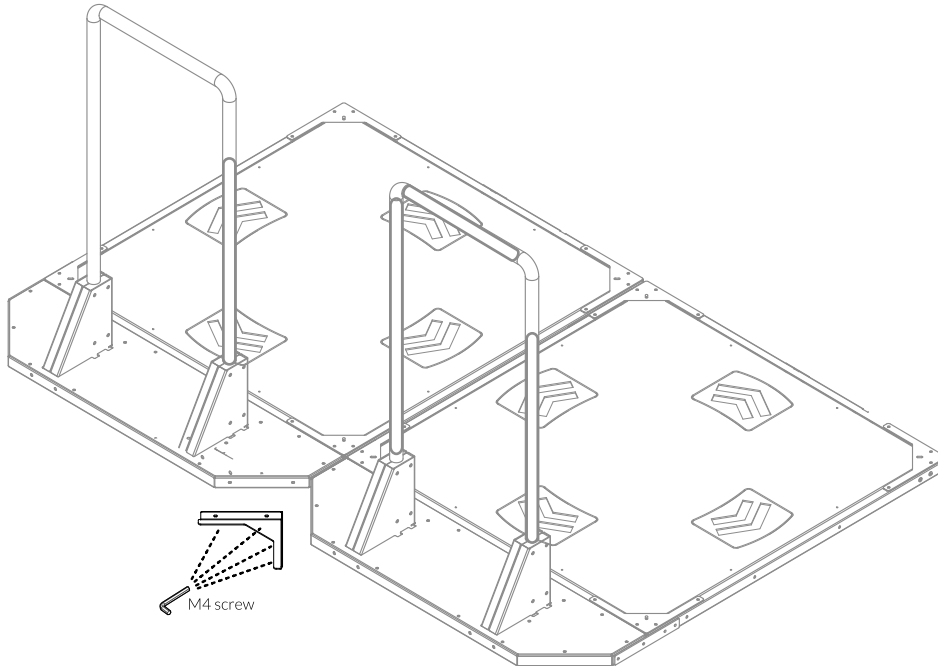


congratulations! it is done!

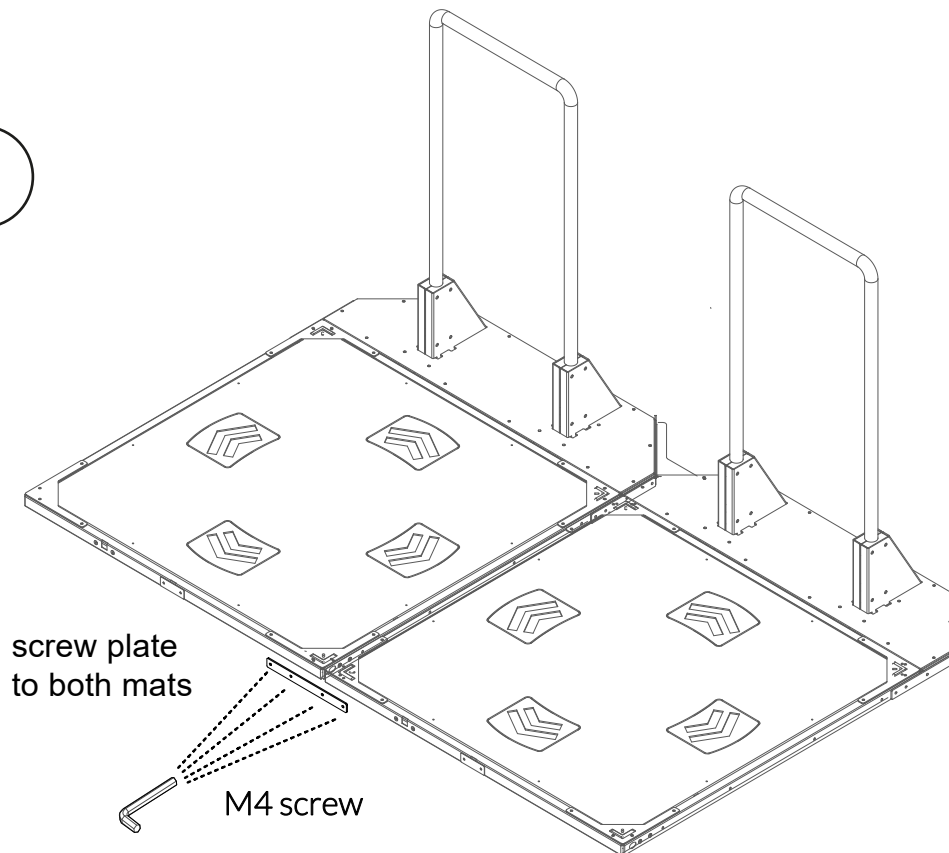
# My Handbar - connecting

1

join mats with bar together  
and screw triangle mount to  
both mats



2



congratulations! it is done!

